

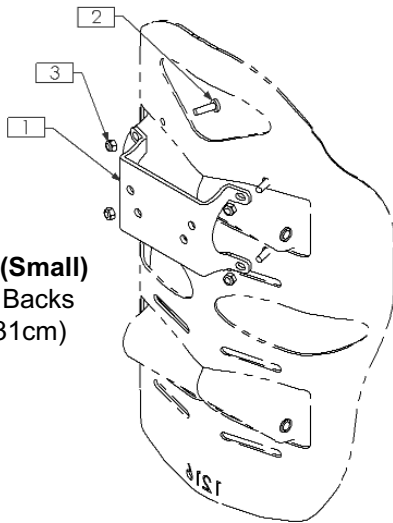
# Matrix Elite Headrest Adapter (EHRA) Plate Installation

**Important!** There are 3 uniquely designed **Elite Headrest Adapter Plates** available. The appropriate adapter plate is determined by the size of the Elite back (refer to **1.0 Installation Overview** below).

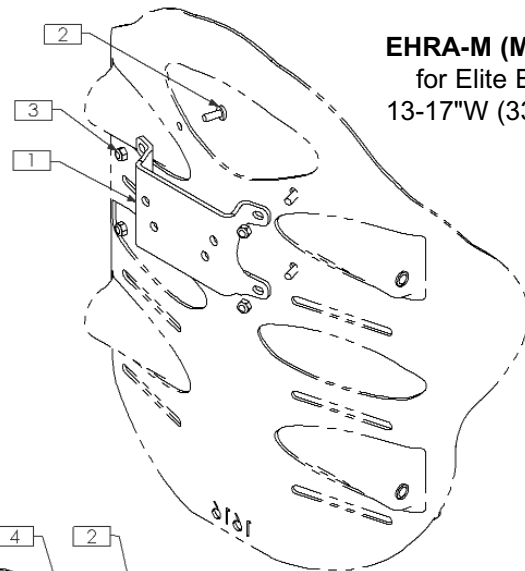
## 1.0 Installation Overview

ELITE BACK SIZE	PLATE SIZE	ITEM No. 1	ITEM No. 2	ITEM No. 3	ITEM No. 4
12"W (31cm)	EHRA-S	TRX3995	M5x16mm Truss Screw (x4)	M5 Nyloc Nut (x4)	n/a
13-17"W (33-43cm)	EHRA-M	TRX3938	M5x12mm Truss Screw (x4)	M5 Nyloc Nut (x4)	n/a
18-20"W (46-51cm)	EHRA-L	TRX3939	M5x12mm Truss Screw (x4)	M5 Nyloc Nut (x4)	n/a
21-24"W (53-61cm) x20"H (51cm)					
21-24"W (53-61cm) x16H (41cm)	EHRA-L	TRX3939	M5x16mm Truss Screw (x4)	M5 Nyloc Nut (x4)	3mm Nylon Spacer (x2)

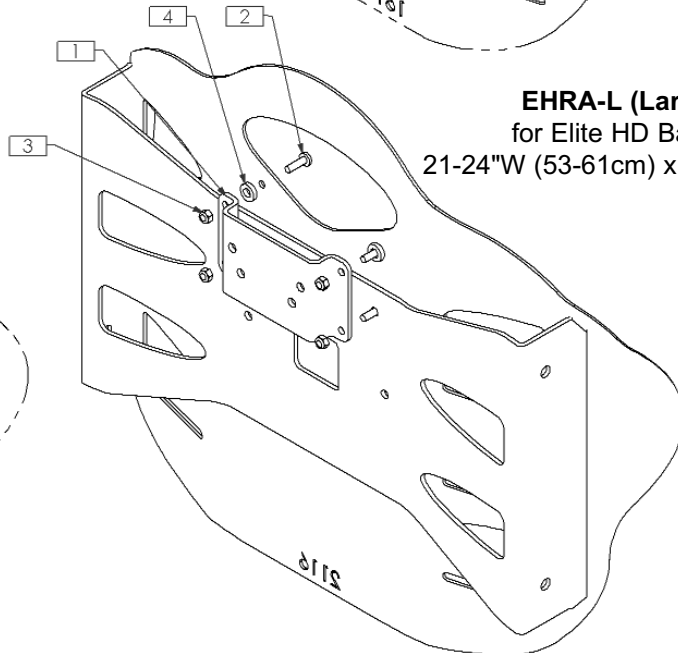
**EHRA-S (Small)**  
for Elite Backs  
12"W (31cm)



**EHRA-M (Medium)**  
for Elite Backs  
13-17"W (33-43cm)



**EHRA-L (Large)**  
for Elite HD Backs  
21-24"W (53-61cm) x 16H(41cm)



**EHRA-L (Large)**

for Elite Backs: 18-20"W (46-51cm)  
for Elite HD Backs: 21-24"W (53-61cm) x 20H (51cm)

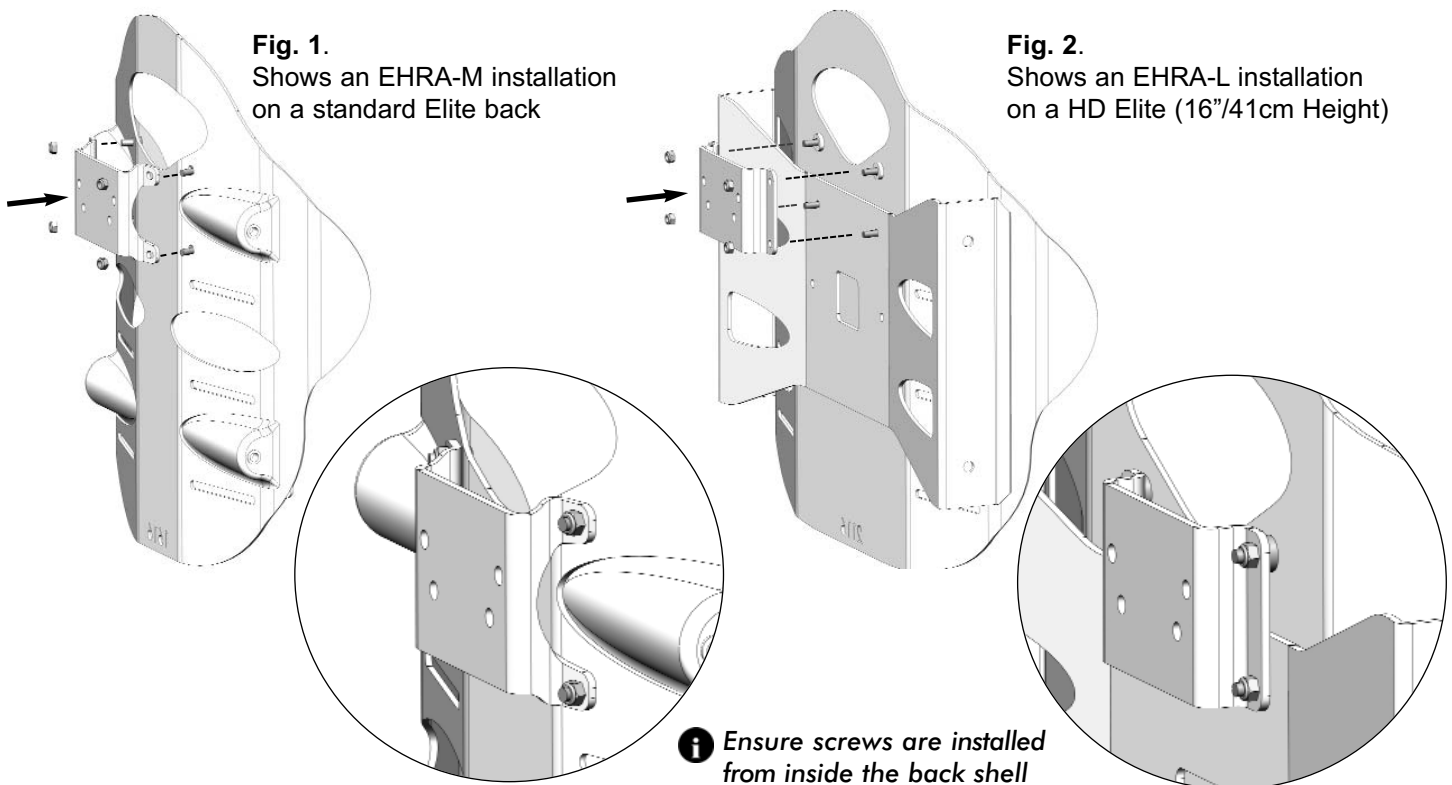
## Matrix Elite Headrest Adapter Plate Installation

### 2.0 Installation Instructions:

**i IMPORTANT!** Refer to section 1.0 *Installation Overview* to determine the applicable mounting hardware.

1. Remove outer back cover (via hook and loop fasteners).
2. Determine the applicable mounting hardware and install the truss screws from the *inside* of the back shell so that they protrude out the rear of the back shell.
3. Align and install the applicable EHRA plate over the screws and secure the plate in place.
4. Verify that all required mounting hardware is installed and fully secured.
5. Re-install the outer cover on the back shell
6. Install the headrest clamp assembly\* (*not shown*) onto the EHRA plate.

**\*Note:** All EHRA plates offer two standard mounting hole patterns that will accommodate most headrests clamp assemblies available in the marketplace. Determine the appropriate set of mounting holes and install the headrest clamp per the manufacturer's instructions.



www.motionconcepts.com  
info@motionconcepts.com

USA  
700 Ensminger Rd. Suite 112  
Tonawanda, NY 14150  
Toll Free Tel: 1.888.433.6818  
Toll Free Fax: 1.888.433.6834

Canada  
84 Citation Drive  
Concord, Ontario L4K 3C1  
Toll Free Tel: 1.866.748.7943  
Tel: 905.695.0134  
Fax: 905.695.0138

