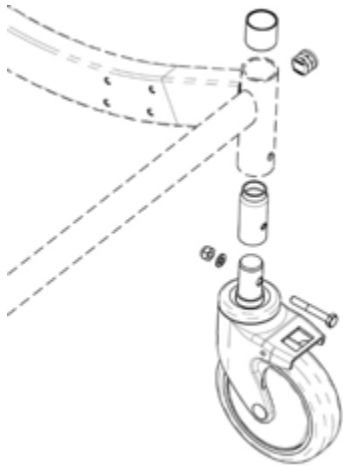
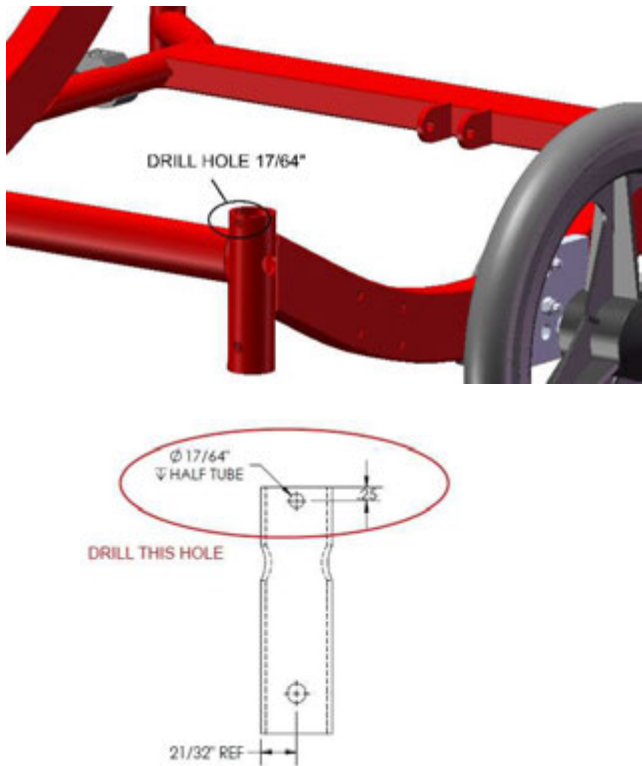


# BRODA<sup>®</sup> MIDWHEEL SUSPENSION CASTER UPGRADE

**Parts Required:** See drawings: X44010\_REV-1 & X12020\_REV-3

**Tools Used:**  
5/32" Allen Key  
7/16" Wrench  
5/16" Wrench  
Power drill with 17/64" drill bit  
Flat head screwdriver  
Rubber mallet

Step	Execution	Figures
<b>1</b>	<p><b>Remove old style rear caster and all parts</b></p> <p>Use flat head screwdriver to remove plastic caps from base frame rear post. Use 7/16" Wrench to remove bolt &amp; nut. Use Rubber mallet to tap out caster. Remove metal sleeve and plastic sleeve from inside the frame post. *Frame post inside should be completely clear of any parts*</p> <p>Repeat on opposite side.</p>	
<b>2</b>	<p><b>Drill hole in rear frame post</b></p> <p>Use power drill with 17/64" drill bit to drill hole in base frame rear post HALF THRU.</p> <p>Repeat on opposite side.</p>	

## 3 Install upgraded suspension caster

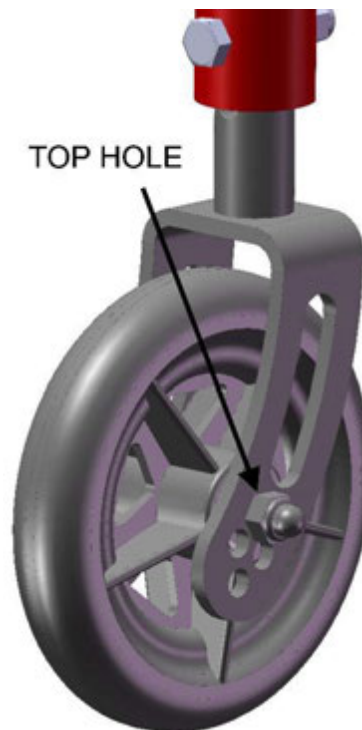
Use drawing X44010 / X12020 to install the parts required for the suspension rear caster.

Repeat on opposite side.



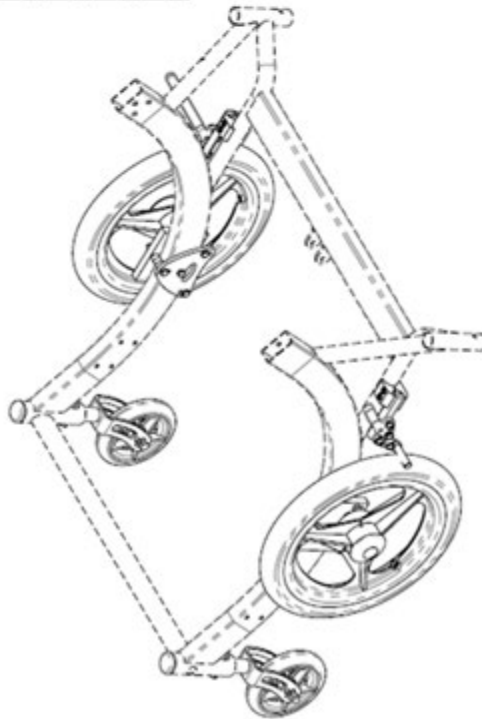
### **\*Synthesis chair only\***

Omitting “Base Frame Drilling Procedure” as per drawing X44010\_REV-1 requires mounting the rear wheel in the top hole of the fork suspension caster.



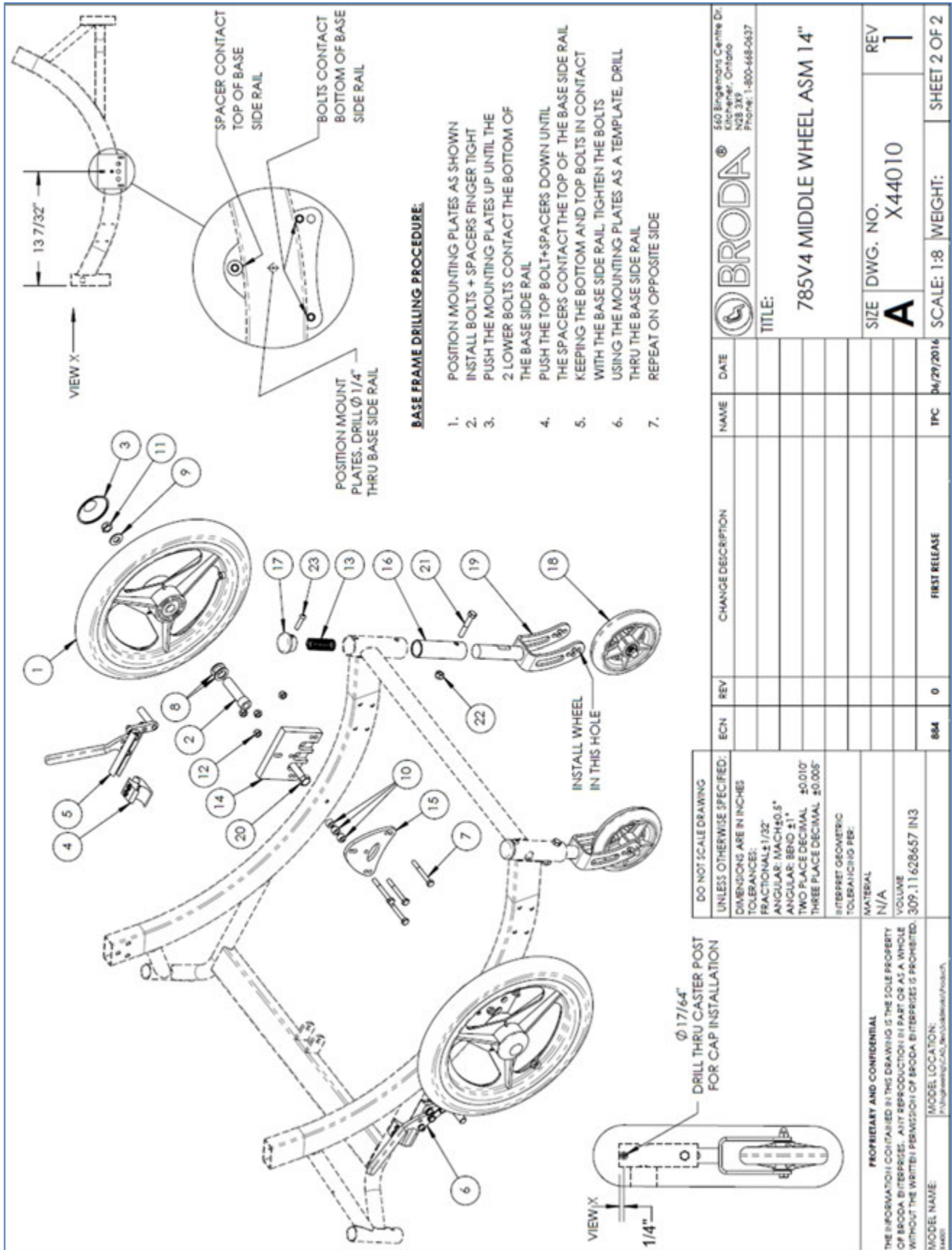
# BRODA<sup>®</sup> MIDWHEEL SUSPENSION CASTER UPGRADE

ITEM	PART NUMBER	DESCRIPTION	QTY
1	430108100	WHE MAG 14", 5/8" AXLE	2
2	200709101	FRM MOUNT SLEEVE FOR MAG WHE	2
3	430109002	WHE HUB CAP 14" MAG	2
4	430101608	WHE ALUMINUM CLAMP 1"DIA, BK05	2
5	430101606	WHE LOCK ALUMLEG BK04 (PUSH-RH)	1
6	430101607	WHE LOCK ALUMLEG BK04 (PUSH-LH)	1
7	411134000	SCREW 1/4-20 X 2-1/4 HEX CAP, ZINC	8
8	413001001	WASHER 5/8" ID X 1" OD X .065" FLT	4
9	413161000	WASHER 7/16 SAE FLAT WASHER, ZINC	2
10	414002000	SPACER, 0.5000 X 0.257ID X 0.313THK	6
11	410162000	NUT, 7/16" NYLOCK HEX JAM	2
12	410132001	NUT 1/4-20 NYLON INSERT LOCKNUT, ZINC	8
13	430121013	SPRING 2" SUSPENSION MID WHEEL	2
14	200705010	FRM 14" MID WHL MNT 785V4	2
15	200705011	BMP 14" MIDWHL BACK PLATE 785V4	2
16	430102105	WHE SLEEVE FORK MIDDLE WHEEL	2
17	200705013	FRM CAP SPRING MIDDLE WHEEL	2
18	430102513	WHE 5" FOR CASTR FRK W/BLT&NUT	2
19	200702011	FRM FORK SUSPENSION MID WHEEL	2
20	411160900	SCREW, 7/16-20 X 3 1/4 HEX CAP	2
21	411141075	SCREW 5/16-18 X 1-3/4 HEX CAP	2
22	410143000	NUT 5/16-18 NYLON INSERT LOCKNUT, ZINC	2
23	412137003	SCREW 1/4-20 X 1.0 BINHEAD CS-BLAK ZINC	2



DO NOT SCALE DRAWING UNLESS OTHERWISE SPECIFIED: DIMENSIONS ARE IN INCHES TOLERANCES: FRACTIONAL: 1/32" DECIMAL: MACH ±0.5" ANGULAR: BEND ±1° TWO PLACE DECIMAL ±0.010" THREE PLACE DECIMAL ±0.005" INTERPRET GEOMETRIC TOLERANCING PER:		BRODA <sup>®</sup> 560 Bingham Centre Dr. Kitchener, Ontario Canada Phone: 1-800-468-0437		
MATERIAL: N/A VOLUME: 309.11628657 IN3		TITLE: 785V4 MIDDLE WHEEL ASM 14"		
PROPRIETARY AND CONFIDENTIAL THE INFORMATION CONTAINED IN THIS DRAWING IS THE SOLE PROPERTY OF BRODA ENTERPRISES. ANY REPRODUCTION IN PART OR AS A WHOLE WITHOUT THE WRITTEN PERMISSION OF BRODA ENTERPRISES IS PROHIBITED.		SIZE DWG. NO. X44010 REV 1		
MODEL NAME: PU14mgw02/CAD_Rev1/Link/LinkProduct		SCALE: 1:10 WEIGHT: SHEET 1 OF 2		
ECN	REV	CHANGE DESCRIPTION	NAME	DATE
1154	1	MIDWHEEL UPGRADE - SUSPENSION + 3HOLES	TPC	02/06/2019
884	0	FIRST RELEASE	TPC	04/29/2016

# BRODA<sup>®</sup> MIDWHEEL SUSPENSION CASTER UPGRADE



# BRODA® MIDWHEEL SUSPENSION CASTER UPGRADE

ITEM	PART NUMBER	DESCRIPTION	QTY
1	430108100	WHE MAG 14", 5/8" AXLE	2
2	430109002	WHE HUB CAP 14" MAG	2
3	200709101	FRM MOUNT SLEEVE FOR MAG WHE	2
4	200705009	FRM 14" MIDDLE WHL MINT 785V2/V3	2
5	200702011	FRM FORK SUSPENSION MID WHEEL	2
6	430102513	WHE 5" FOR CASTR FRK W/BLT&NUT	2
7	430102105	WHE SLEEVE FORK MIDDLE WHEEL	2
8	200705013	FRM CAP SPRING MIDDLE WHEEL	2
9	430121013	SPRING 2" SUSPENSION MID WHEEL	2
10	500500501	Kit Wheel Lock Right	1
11	500500502	Kit Wheel Lock Left	1
12	200001303	FRM CLAMP BLOCK FOR 1" TB 1/4-2	2
13	411161000	SCREW, 7/16-20 X 3 1/2 HEX CAP	2
14	411141075	SCREW 5/16-18 X 1-3/4 HEX CAP	2
15	411132000	SCREW 1/4-20 X 1-3/4 HEX CAP, ZINC	2
16	411131000	SCREW 1/4-20 X 1-1/2 HEX CAP, ZINC	4
17	412137003	SCREW 1/4-20x1.0 BTNHEAD CS-BLAK ZINC	2
18	413161000	WASHER 7/16 SAE FLAT WASHER, ZINC	10
19	413001001	WASHER 5/8" ID X 1" OD X .065" FLT	2
20	410162000	NUT, 7/16" NYLOCK HEX JAM	2
21	410143000	NUT 5/16-18 NYLON INSERT LOCKNUT, ZINC	2
22	410132001	NUT 1/4-20 NYLON INSERT LOCKNUT, ZINC	2

REV	CHANGE DESCRIPTION	NAME	DATE
3	MIDWHEEL UPGRADE - SUSPENSION	TPC	02/04/2018
2	LIFTED MAGSZE FOR HOLES ON MOUNT PLATE	TPC	08/14/2017
1	PLATE MOVED BACK 2" RIGID CASTER ADDED	TPC	01/18/2016
0	FIRST RELEASE	TPC	10/02/2015

DO NOT SCALE DRAWING UNLESS OTHERWISE SPECIFIED: DIMENSIONS ARE IN INCHES FRACTIONALS 1/32" ANGULAR: MATCHED 5° TWO PLACE DECIMAL ±0.010" THREE PLACE DECIMAL ±0.005" INTERPRET GEOMETRIC TOLERANCING PER: MATERIAL VOLUME IN3	1154	3	MIDWHEEL UPGRADE - SUSPENSION	TPC	02/04/2018
PROPERTY AND CONFIDENTIAL THE INFORMATION CONTAINED IN THIS DRAWING IS THE SOLE PROPERTY OF BRODA ENTERPRISE. ANY REPRODUCTION IN PART OR AS A WHOLE WITHOUT THE WRITTEN PERMISSION OF BRODA ENTERPRISE IS PROHIBITED. MODEL NAME: 1154 MODEL LOCATION: 1154	1012	2	LIFTED MAGSZE FOR HOLES ON MOUNT PLATE	TPC	08/14/2017
	817	1	PLATE MOVED BACK 2" RIGID CASTER ADDED	TPC	01/18/2016
	795	0	FIRST RELEASE	TPC	10/02/2015

		560 Binghamton Centre Dr Eschwege, Ontario N2B 3P5 Phone: 1-800-668-0037	
TITLE:		ELITE 14" MIDDLE MAG WHL ASM	
SIZE	DWG. NO.	REV	
A	X12020	3	
SCALE: 1:10		WEIGHT: SHEET 1 OF 2	

